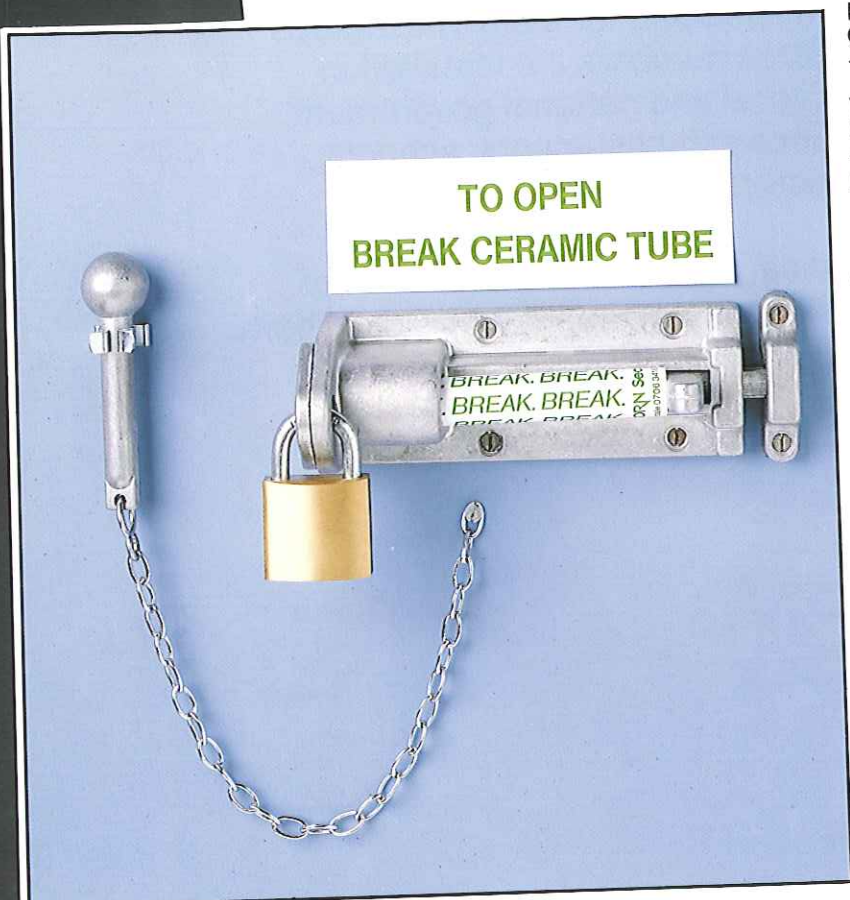


SfB	(68·5)
UDC	654.924

REDLAM

Panic Bolts

NOW WITH SAFER CERAMIC TUBE



Emergency operation (Mark 1 model): break the CERAMTUBE™ with sturdy ball hammer provided — the bolt will slide back automatically.

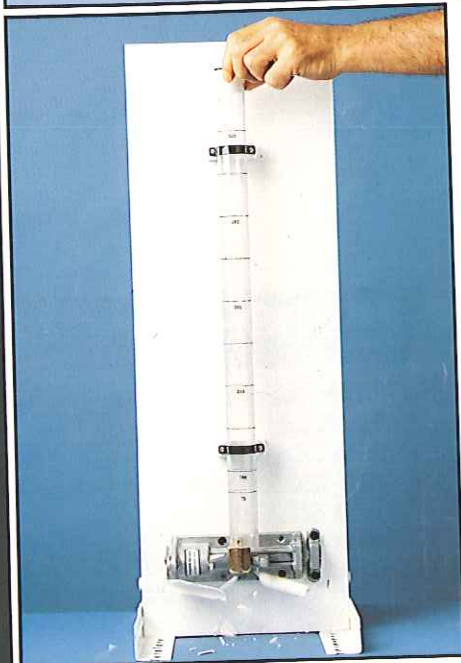
To re-set bolt, remove brass security lock, lift up keeper plate, remove broken CERAMTUBE™ and slide in replacement. Replace keeper plate, then replace lock.

Mark 2 Model available — part number 32951 (designed particularly for inter-connecting emergency exit doors). Operate by breaking CERAMTUBE™ on one side of the door with hammer and from the other side by pushing the knob.

Mark 1 and 2 panic bolts can be supplied with alternative bolt securing plates for recessing into door frames, if preferred to standard surface fitted keepers.

Benefits

- Allow doors to be locked except in an emergency
- Simple 'Break Ceramic Tube' operation
- No fragments of broken glass — broken ceramic tubes leave no sharp pieces
- Mark 2 model allows door opening from both sides
- Quick, positive action — virtually maintenance free (simply replace CERAMTUBE™ after operation)
- Surface mounted or recessed bolt keepers available
- Proven reliability



Mark 1 Standard Model — part number 32207

Samples from each production batch are tested for the impact energy required for breakage. The tubes have been developed to offer resistance to inadvertent fracture, whilst ensuring they are easily breakable with the hammer.



REDLAM

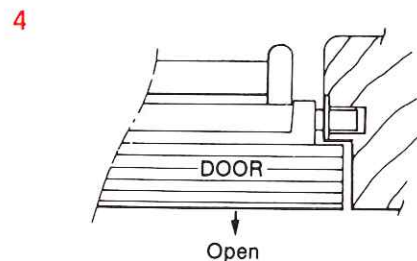
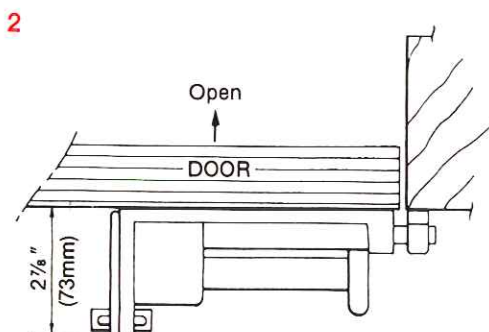
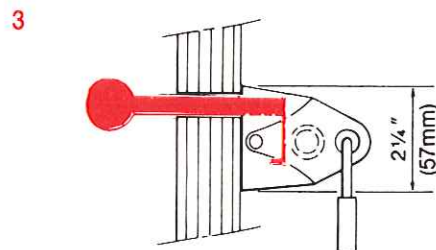
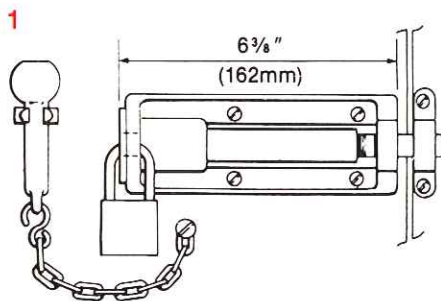
The name for Panic Bolts

For many years REDLAM panic bolts have been supplied for installation in premises of almost all kinds throughout the world.

They have been specified for many prestigious buildings and large numbers are installed in shops, offices, local and national government buildings, defence establishments, schools, warehouses, factories etc.

For an economical solution to the problem of providing reliable panic bolts for emergency exits, remember the name — REDLAM.

Now fitted with the safer CERAMTUBE™.



1 & 2 MARK 1 model with standard surface mounted bolt keeper.

3 MARK 2 model with standard surface mounted bolt keeper.

4 Alternative recessed bolt keeper.



THORN Security Limited