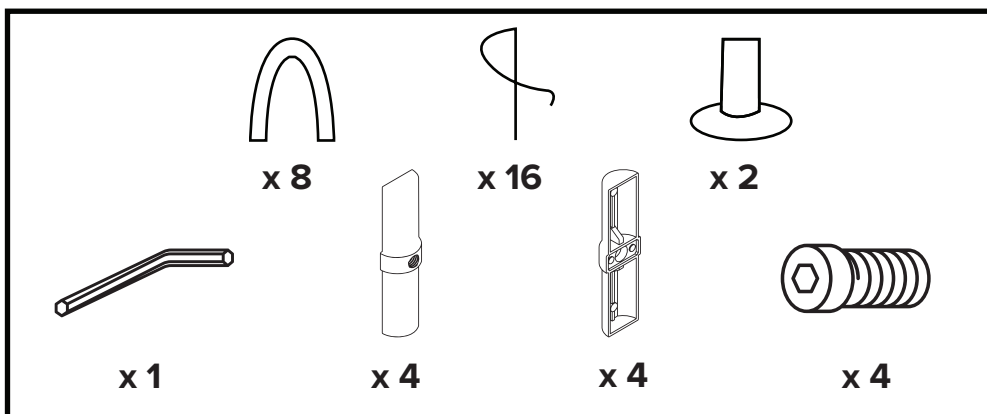
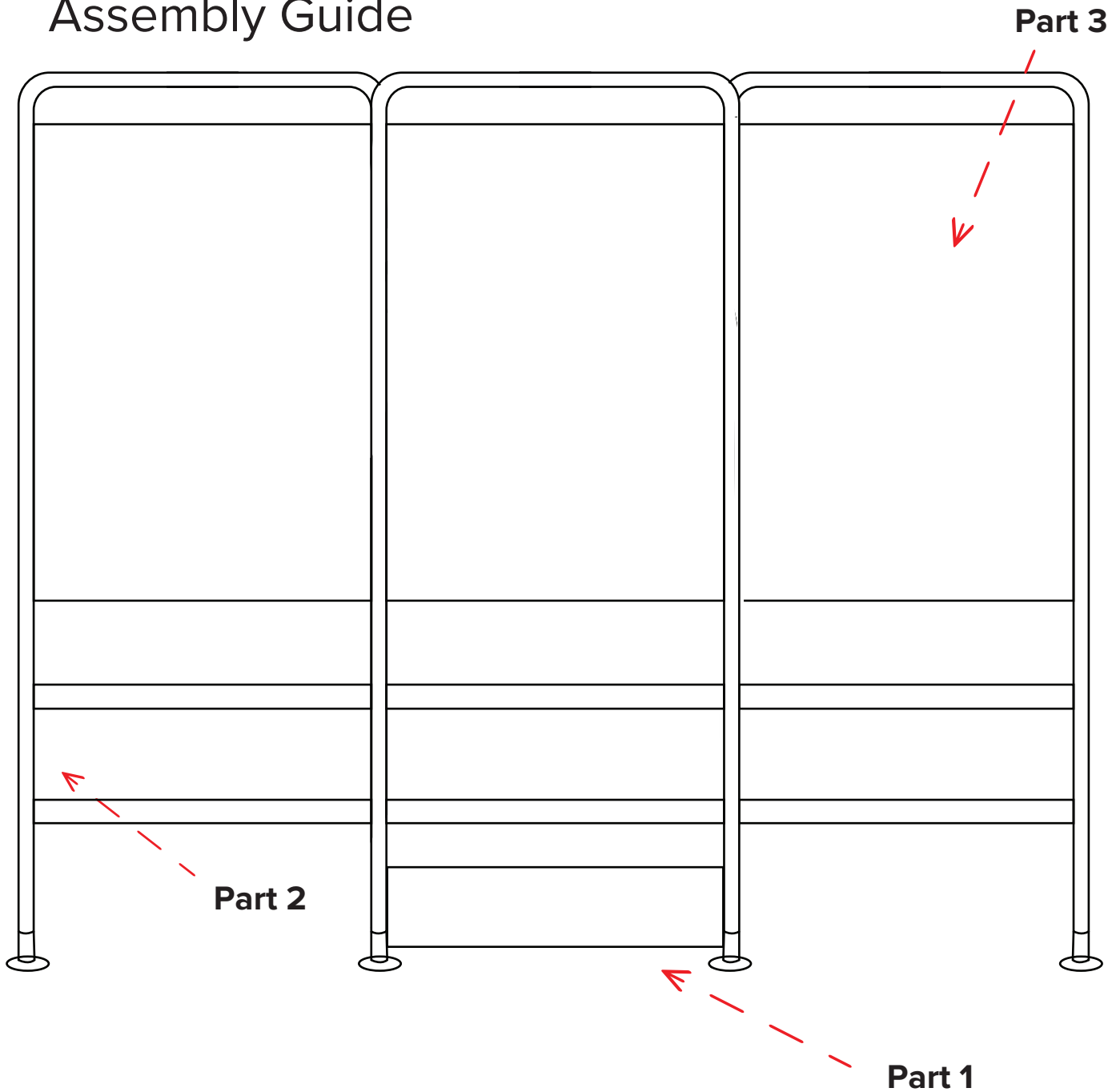


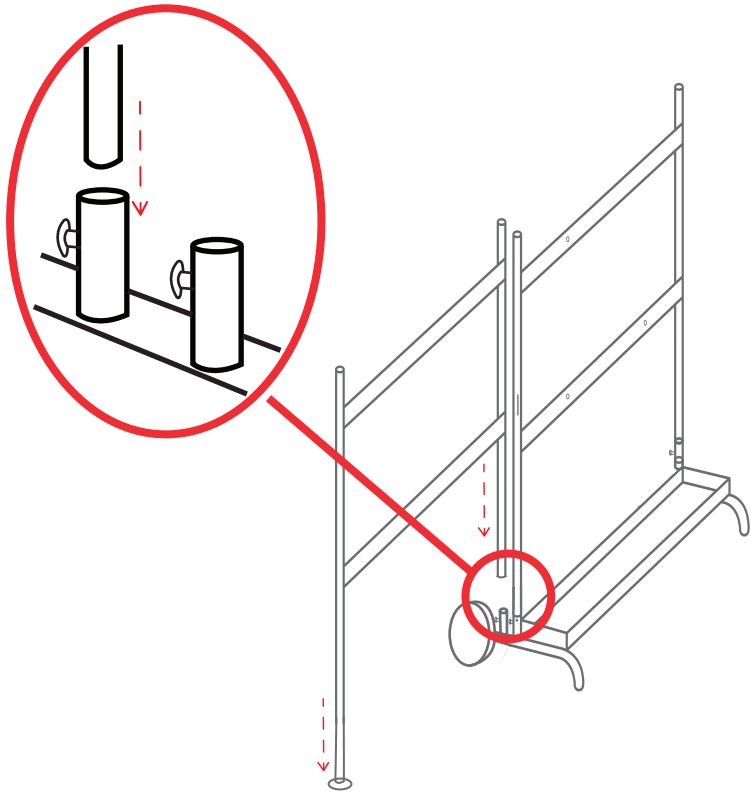
CON-STD-03

2 x side panels part code: ES-CS-001-SDP

Assembly Guide

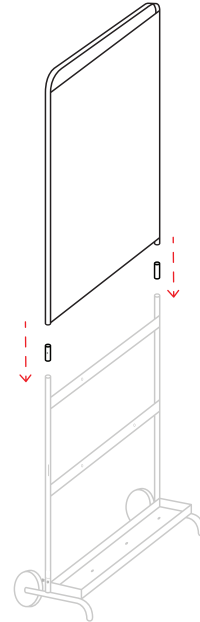


Assemble Lower Section



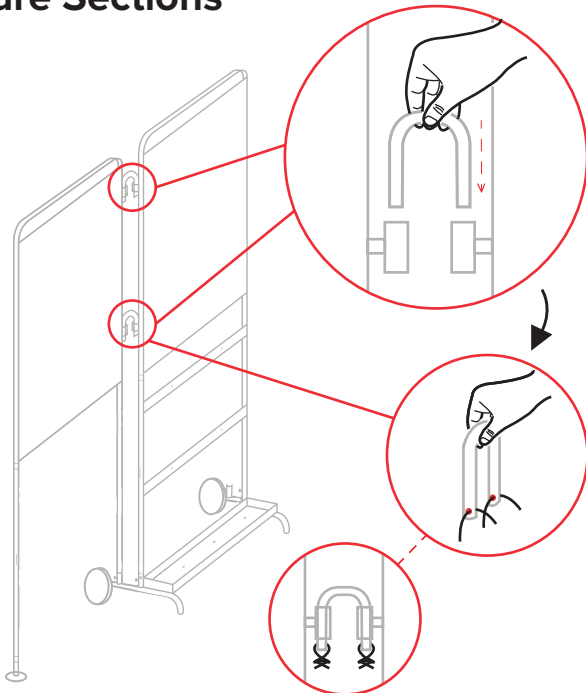
1. Place **Part 2** onto **Part 1**. and tighten.
2. Place the other leg of **Part 2** into one of the feet provided.

Assemble Upper Section



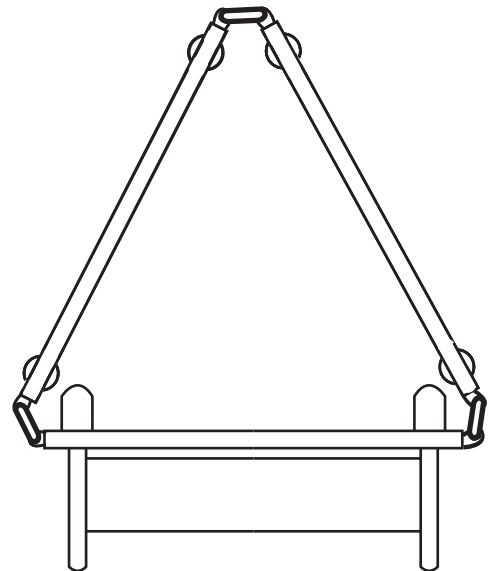
3. Place **Part 3** onto **Part 2**. and tighten.

Secure Sections



4. Once all parts are in position, slot in one of the hooks into the hoops which are attached to each panel.
5. Once the hook has been positioned into place, insert the securing wire through the holes on the hooks and twist to secure.

Assemble Upper Section



6. Rotate both sides around so that they meet and hook together as per the 'Secure Sections' instructions.