

# DHI-HY-HT10A

## Standalone Heat Alarm



### System Overview

Standalone Heat Alarm is specifically designed to continuously monitor temperature. Integrated with a high-precision thermistor and an intelligent algorithm, it triggers an alarm when a predetermined temperature is reached. It is ideal for smoky, dusty, or humid areas that may trigger false smoke alarms, e.g., kitchens where cooking fumes are present and attics, garages boiler rooms where there may be lots of dust. By using heat alarms, you can monitor these areas without worrying about a false alarm. Powered by a 10-year sealed battery, it provides 24/7 protection against fire for a decade.

### Scene

Application scenarios include household or similar residential applications such as kitchens and garages.

### Technical Specification

#### Working Principle

Collection Type	Temperature
Sampling Period	10 s
Sensor Type	Thermistor

#### Alarm

Alarm Type	Heat alarm, fault warning, low battery warning
Alarm Volume	85dB (A) at 3 m (9.84 ft)
Alarm Mode	Visual and audible alarm
Silencing Function	Yes

- Test and silence features in the central push button
- Loud sound output over 85 dB(A) at 3 meters
- Low quiescent current consumption
- Surface-mount device (SMD) circuit board design
- Low battery warning signal
- Class A1 fire detection (54°C to 65°C)

### Technical Specification

#### Basic Parameters

Indicator Light	Alarm, fault and operation indicator
LED Instructions	Standby: Green indicator flashes once per minute Alarm: Red indicator flashes once per second Fault: Red indicator flashes twice per minute

#### Power Supply

Power Source	3V CR123A lithium battery (non-replaceable)
Battery Life	10 years
Operating Current	Monitoring current: $\leq 15\mu\text{A}$ Alarm current: $\leq 60\text{mA}$

#### Operating Ambient

Operating Environment	Indoor
Operating Temperature	-10°C to +55°C (+14°F to +131°F)
Operating Humidity	$\leq 95\%$ RH (non condensing)

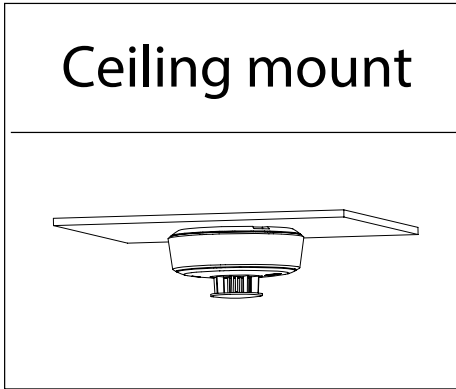
#### Appearance

Color	White
Casing	PC
Dimensions	$\phi 93.8\text{mm} \times \text{H}46.9\text{mm}$ ( $\phi 3.69" \times \text{H}1.85"$ )
Weight	115 g
Installation	Ceiling Mount

#### Certification

Certifications	CE
Compliance Standard	BS 5446-2:2003

Installation



Ordering Information

Type	Part Number	Description
Heat Alarm	DHI-HY-HT10A	Standalone Heat Alarm

Dimensions (mm/inch)

