

# DHI-HY-HT10A-R8

## Wireless Interconnected Heat Alarm



### System Overview

Wireless Interconnected Heat Alarm is specifically designed to continuously monitor abnormal temperature. Integrated with a high-precision thermistor and an intelligent algorithm, it triggers an alarm when a predetermined temperature is reached. It is ideal for smoky, dusty, or humid areas that may trigger false smoke alarms, e.g., kitchens where cooking fumes are present and attics, garages boiler rooms where there may be lots of dust. Powered by a 10-year sealed battery, it provides 24/7 protection against fire for a decade. Moreover, the alarm signal will be pushed to every alarms in the interconnected network and they will raise the alarm in unison.

### Scene

Application scenarios include household or similar residential applications such as kitchens and garages.

### Technical Specification

#### Working Principle

Collection Type	Temperature
Sampling Period	10 s
Sensor Type	Thermistor
<b>Alarm</b>	
Alarm Type	Heat alarm, fault warning, low battery warning
Alarm at Temperature Range	+54°C to +65°C (+129°F to 149°F)
Alarm Volume	≥ 85dB (A) at 3 m (9.84 ft)
Alarm Mode	Visual and audible alarm
Silencing Function	Yes

- Class A1 fire detection (54°C to 65°C)
- Silenced by a working infrared remote controller
- Wireless interconnected with maximum of 24 devices
- Test and silence features in the central push button
- Loud sound output over 85 dB(A) at 3 meters
- Surface-mount device (SMD) circuit board design
- Low battery warning signal

### Technical Specification

Silence Duration	9 min
Silence by IR Remotes	Support
<b>Basic Parameters</b>	
Indicator Light	Alarm, fault and operation indicator
LED Instructions	Standby: Green indicator flashes once per minute Alarm: Red indicator flashes once per second Fault: Red indicator flashes once per minute
Operating Frequency	868 MHz
Radio Signal Range	Up to 1000 m (3280.84 ft) in open air
Maximum Number of Interconnected Units	24 pcs
<b>Power Supply</b>	
Power Source	3V CR123A lithium battery (non-replaceable)
Battery Life	10 years
Operating Current	Monitoring current: ≤15uA Alarm current: ≤60mA
<b>Operating Ambient</b>	
Operating Environment	Indoor
Operating Temperature	-10°C to +55°C (+14°F to +131°F)
Operating Humidity	≤95% RH (non condensing)

# Heat Alarm | DHI-HY-HT10A-R8

## Appearance

Color	White
Casing	PC+ABS
Dimensions	φ93.8mm × H46.9mm (φ3.69" × H1.85")
Weight	115 g
Installation	Ceiling Mount

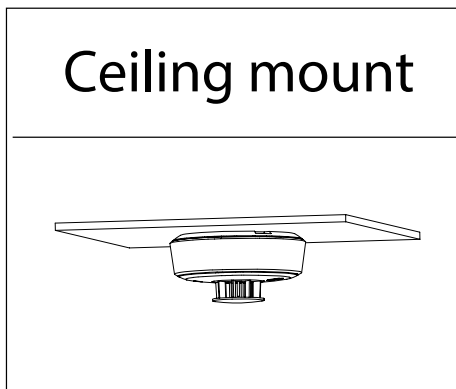
## Certification

Certifications	CE, UKCA
Compliance Standard	BS 5446-2:2003

## Ordering Information

Type	Part Number	Description
Heat Alarm	DHI-HY-HT10A-R8	Wireless Interconnected Heat Alarm

## Installation



## Dimensions (mm/inch)

