

Safety Warning



- The installation should be carried out by a qualified electrician in compliance with the current edition of the IEE Wiring Regulations.
- Prior to installation, carry out the necessary risk assessment considering the people who could be at risk, the level of risk and the precautions required to control the risk
- Ensure that the circuit supply is isolated either by the circuit supply fuse being removed or the applicable circuit breaker being turned off before installation or any maintenance.
- Check the total load on the circuit ensuring the luminaire does not exceed the rating of the circuit cable, fuse or circuit breaker.
- Long-term use and voltage fluctuations can reduce the life span of the fitting.
- If the fitting incorporates control gear, ensure careful sizing to avoid instances of nuisance tripping of the protective device used in the installation.
- Follow the provided installation instructions, using the fixings supplied or recommended.
- Keep out of reach of children.

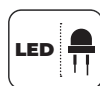
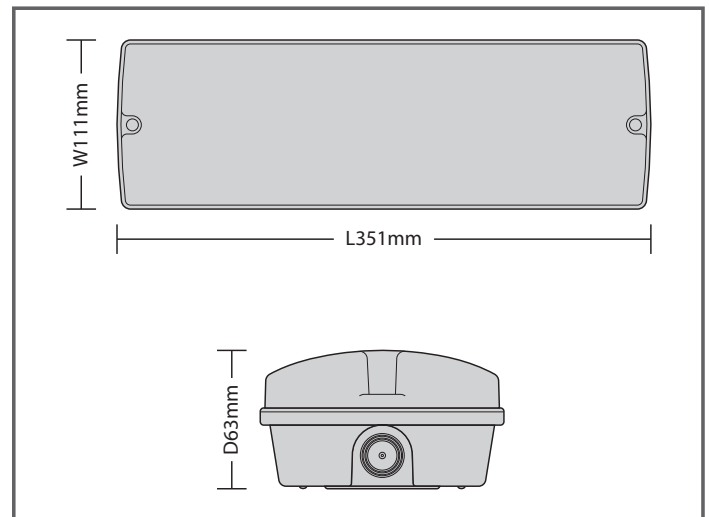


Specification

Box Contents -

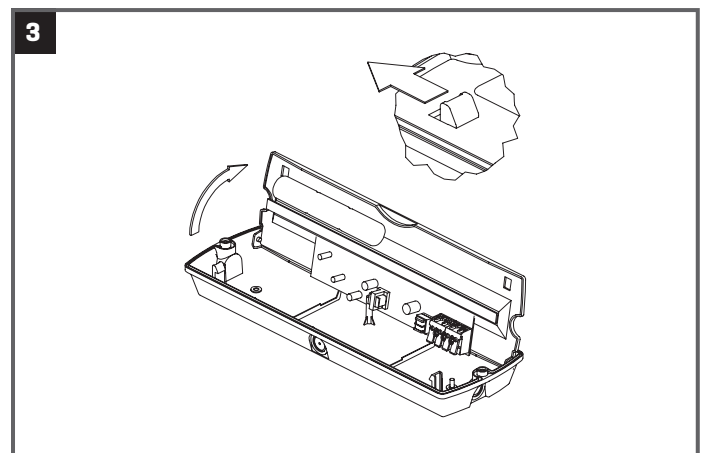
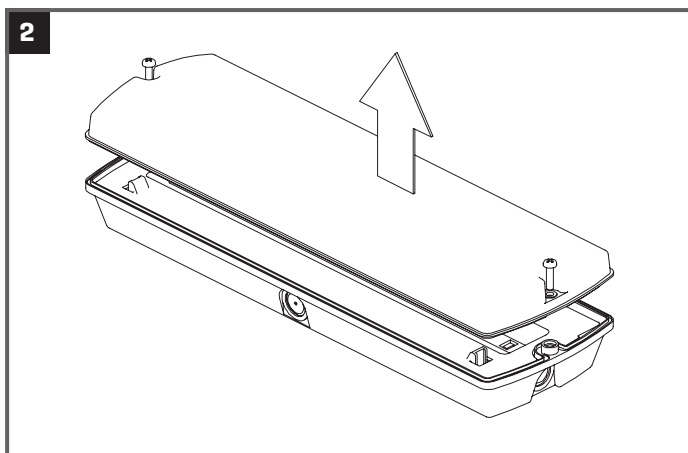
1 x Maintained/Non-Maintained 110V emergency Bulkhead
1 x Self-Adhesive Exit Legend

Dimensions:	L: 351 x W: 111 x D: 63mm
Material:	Body: ABS Lens: Polycarbonate
Colour Temperature:	6500K
LED Lifetime:	L70B50 36,000 Hrs
IP Rating:	IP65
IK Rating:	IK06
Working Temperature:	0°C to 45°C
Guarantee:	5 Years

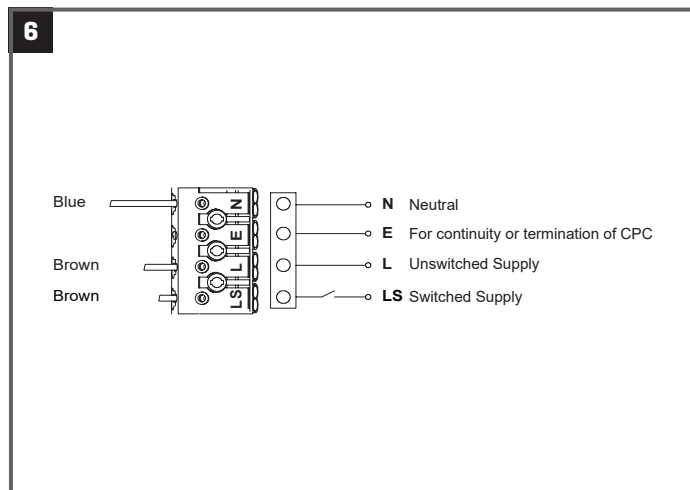
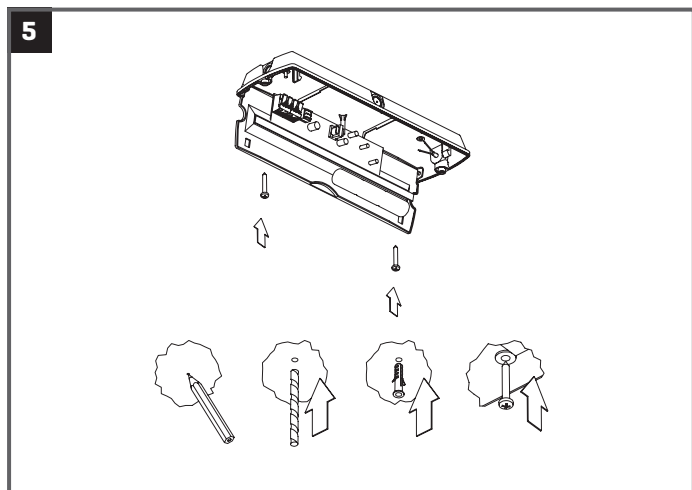


Installation Instructions

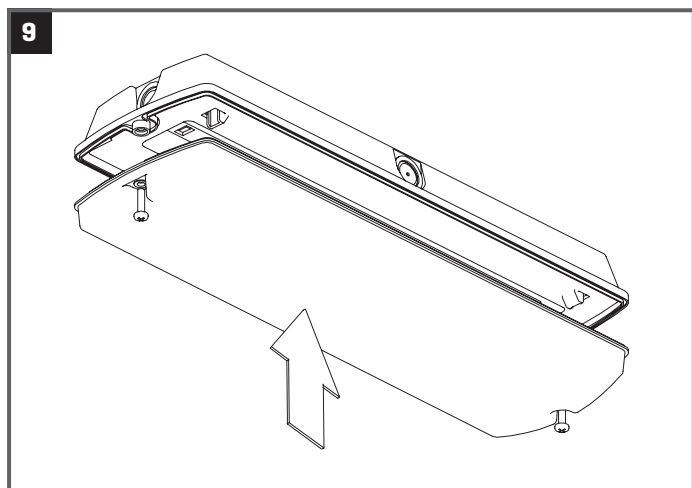
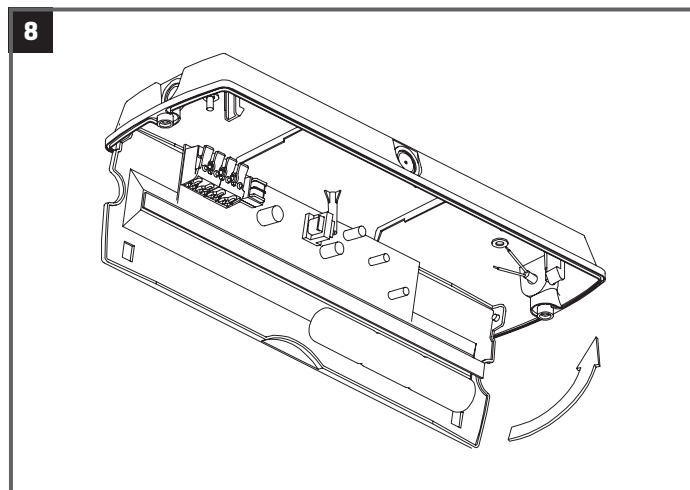
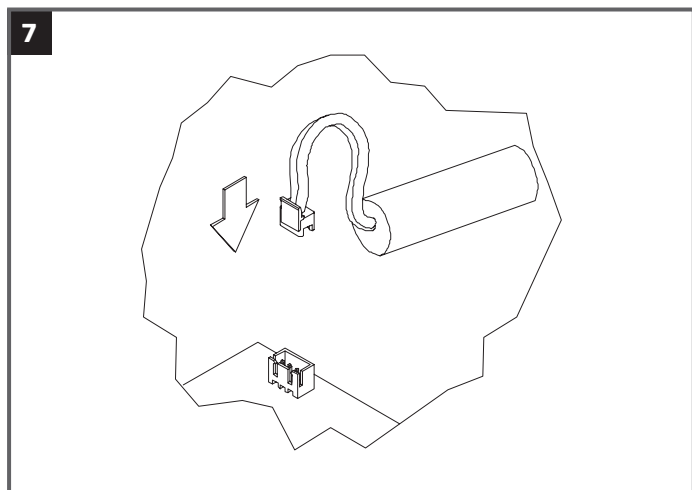
1. Isolate the mains supply before carrying out any installation or maintenance work.
2. Remove the diffuser/lens from the fitting by loosening the screws at either end.
3. Access the terminal block & batteries by pushing the 2 retaining clips outwards and rotate the gear tray on its hinge as shown.



4. Drill out the preferred fixing points and cable entry point.
5. Fix the body to the ceiling or wall in the desired location, passing the supply cable through the cable entry point. Ensure that a suitable cable gland is used to maintain the IP65 rating.
6. Connect the supply cable to the terminal block. An unswitched supply must be connected to the Live (L) and Neutral (N) terminals. The fitting can be operated.
 - A. For Maintained operation, connect supply as above, leaving the link wire pre-fitted between the Live (L) and Switched Live (LS) terminals in place.
 - B. For Non-Maintained operation, connect supply as above and remove the link wire between the Live (L) and Switched Live (LS) terminals.
 - C. For Switched Maintained operation, connect supply as above plus connect a switched live supply to the terminal marked LS. Remove the link wire between the Live (L) and Switched Live (LS) terminals.



7. Plug the cable from the battery into the white connector on the PCB.
8. Hinge the gear tray back into position and press firmly to re-engage the retaining clips.
9. Replace the diffuser/lens, making sure the screws are fully tightened to ensure a good seal.
10. Restore the mains supply and check that the green LED indicator is illuminated and that the luminaire operates correctly.
11. Leave the power connected for 24-36 hours to fully charge the batteries and then carry out an emergency commissioning test.



Operation

Non-maintained

- The lamp is normally off and battery on automatic charge (the green led is on) when the A.C. Supply is healthy. Solid state circuitry automatically switches the lamp on when the A.C. Supply is interrupted.

Maintained

- The lamp is normally on when the supply to the switched live is on. The battery is on automatic charge (the green led is on). The lamp will switch on or remain on if the A.C. Supply is interrupted.

Monitoring

The green led indicator lamp will be on continuously. It will go out if the A.C. Supply or charger fails.

Fault Finding

- The green led indicator is not illuminated: the A.C. supply is not connected or the battery is not connected or the charger has failed.
- The unit is not meeting the required emergency duration: the fitting may need cycling. Discharge and then recharge for a full 24 hours. Retest the emergency duration. The battery may need replacing if the emergency duration is still not achieved.
- The LEDs are not fully illuminated: if the LEDs flicker and illumination is low, either the battery pack or (less likely) the PCB needs replacing.

Battery Replacement

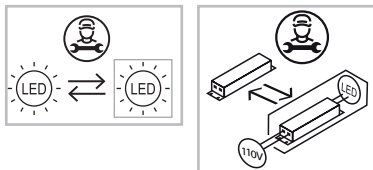
- If after the routine operation check, the LEDs do not remain lit for the three hour period, a new battery pack may be required.
1. Switch off the electricity at the mains.
 2. Allow the batteries to fully discharge and then reconnect to the supply and allow to charge for 24 hours.
 3. Test again for three hours, if the fitting does not remain lit change the battery pack as follows:
 4. Remove the diffuser.
 5. Push out the gear tray retaining clips and hinge open the gear tray.
 6. Unplug the battery lead from the circuit board.
 7. Write the current date on the new battery pack.
 8. Replace the old battery pack with the new pack.
 9. Plug the new battery back into the circuit board.
 10. Close and secure the gear tray.
 11. Replace the diffuser.
 12. Restore the power and allow to charge for 24 hours.
 13. Perform a full operation check and update the test record.

Guarantee

This product is guaranteed for a period of 5 years from the date of purchase. The guarantee is invalid in the case of improper use, tampering, removal of the Q.C. date label, installation in an improper working environment or installation not according to the current edition of the I.E.E. Wiring Regulations (BS7671). The guarantee is also invalidated if the luminaire has been insulation tested. Should this product fail during the guarantee period it will be replaced free of charge, subject to correct installation and return of the faulty unit. We do not accept responsibility for any installation costs associated with the replacement of this product. Your statutory rights are not affected. We reserve the right to alter specifications without prior notice.

Maintenance

- This fitting will require routine cleaning if used in adverse (dust, paint, welding, oils etc) environments. Do not use solvents, aggressive detergents or abrasives.
- The light source & driver in this luminaire can be quickly and easily replaced at end of life. This should be carried out by a competent person. Contact Red Arrow for details of replacements.



- When this fitting comes to the end of its life or you choose to replace it, please do not dispose of it with your normal waste. Please recycle where the facilities exist, check with your local authority for suitable options.

INS_SITE_0026_VANS_V3

INSTALLATION INSTRUCTIONS

Emergency Testing Sheet

Testing (Emergency Versions)

The emergency lighting must be tested and inspected regularly in accordance with local codes of practice.

NOTE: For safety reasons tests should be carried out preceeding time of low risk, to allow for battery recharge.

The minimum recommended test schedule is as follows:

Commissioning - After installation, allow 24 hours to ensure full battery charge, and then interrupt the supply; check after 3 hours that the light is still illuminated.

1. Daily - Check that the charge indicator LED is working.
2. Monthly - Interrupt the power supply for a period sufficient to ensure each light is illuminated. At the end of the test, restore the supply and check the indicator is illuminated.
3. Annually - Interrupt the supply as in 2, but for the full rated duration. Ensure the light is illuminated at the end of the rated duration. Restore the supply and check the indicator is illuminated.
4. Record the date and result of each test, attending to any maintenance required in the event of a test failure.

Luminaire Location

Date Installed

Date Commisioned

Month	Test	Year 1			Year 2			Year 3		
		Signed	Result / Action	Date	Signed	Result / Action	Date	Signed	Result / Action	Date
1	Functional									
2	Functional									
3	Functional									
4	Functional									
5	Functional									
6	Functional									
7	Functional									
8	Functional									
9	Functional									
10	Functional									
11	Functional									
12	Full Duration									